



CHICAGO STAINLESS EQUIPMENT, INC.

SANI-FLOW

# SANITARY DIGITAL THERMOMETERS



**ALL NEW**  
OVERSIZE DISPLAY  
WITH BATTERY  
LEVEL INDICATOR



Quality Products Since 1937  
[www.chicagostainless.com](http://www.chicagostainless.com)



Member of:  
**fisa**  
Distributors Serving  
Sanitary Processing





SANI-FLOW

SANITARY DIGITAL THERMOMETERS

Chicago Stainless Equipment, Inc. has been manufacturing equipment for the dairy and food processing industry for well over half a century. We incorporated over 40 years experience in manufacturing the world's finest sanitary pressure gauges when we designed our sanitary digital thermometer. The Sani-Flow Sanitary Digital Thermometer is built to withstand the harshest environment and function for many years with little or no maintenance. Our dedication to quality is not only evident in our products, but also in our customer service. We offer immediate availability on all products and respond quickly with quality service at reasonable prices. We feel so strongly about the quality of our products and service that we guarantee complete satisfaction.

FEATURES

Accuracy: ±0.5° across the full scale with large, high contrast LCD display so there is no guessing, squinting or misreading the temperature. No problem reading several thermometers at one time from a distance.

Durability: Constructed with 316L stainless steel wetted surfaces to assure maximum corrosion resistance. A clean waterproof design allows the thermometer to be hosed down or submersed for cleaning. The Lexan® lens is virtually impervious to cracks and breakage.

Dependability: Powered by two field replaceable standard AAA battery with a life of up to 3 years - no expensive battery pack. Totally electronic which means no hassles with mercury or a separated column. The RTD does not wander or drift like other RTD type thermometers which means fewer recalibrations will be necessary.

Versatility: One thermometer covers a range from -58° to 302°. There is no need to have different thermometers for different applications.

Field Recalibratable: Simply turn a screw on the electronics to adjust calibration. No special tools or charts needed. Check and adjust quickly and easily during routine maintenance or battery replacement.

Special Probe Lengths available in a matter of days not weeks.

A Unique Modular Design means any thermometer can be customized for tough, abusive or special applications.

Repairable: The modular design also allows for cost effective and timely repairs.

Service: Thermometers are available from stock ready to ship. No hassle return policy. No restocking charge on standard thermometers.

SPECIFICATIONS

Table with 2 columns: Specification and Value. Includes TOLERANCES (Compliance, Accuracy, Units, LCD Display Size, Refresh Rate, Process Temperature Range, Temperature Range, Ambient Operating Limits, Ambient Storage Limits) and CONSTRUCTION (Product Contact Material, Product Contact Finish, Case & Lens Ring Material, Lens Material, Power, Battery Life Expectancy, Approx. Shipping Weight).

FITTINGS

Table with 4 columns: STYLE, SIZE, PROBE LENGTH, CODE. Lists various fitting options like Tri-Clamp, Projectile Well, NPT, Split Ferrule, Air Space, and Captive Nut/Bevel Seat with their corresponding sizes and codes.

Table with 4 columns: STYLE, SIZE, PROBE LENGTH, CODE. Lists styles like Cherry-Burrell and Male I-Line with their sizes and codes.

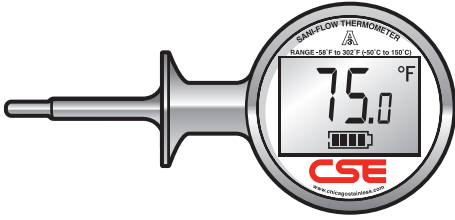


Tri-Clamp® is a registered trademark of Tri-Clover, Inc.

# TYPICAL FITTINGS

## LEFT SIDE MOUNT

(shown with 1 1/2" Tri-Clamp®)



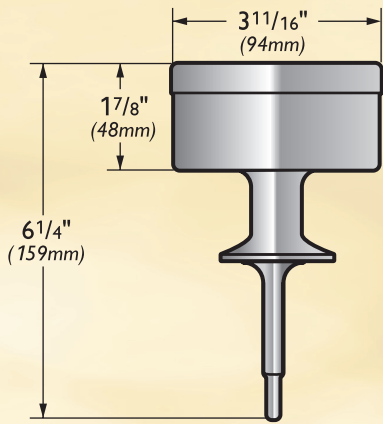
## RIGHT SIDE MOUNT

(shown with 1 1/2" Tri-Clamp®)



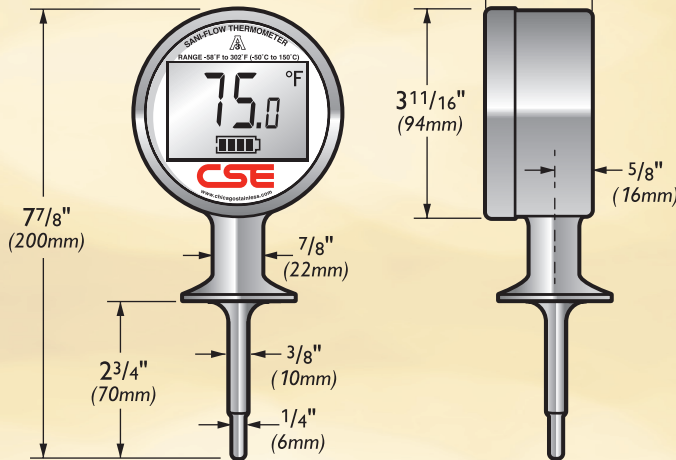
## BACK MOUNT

(shown with 1 1/2" Tri-Clamp®)

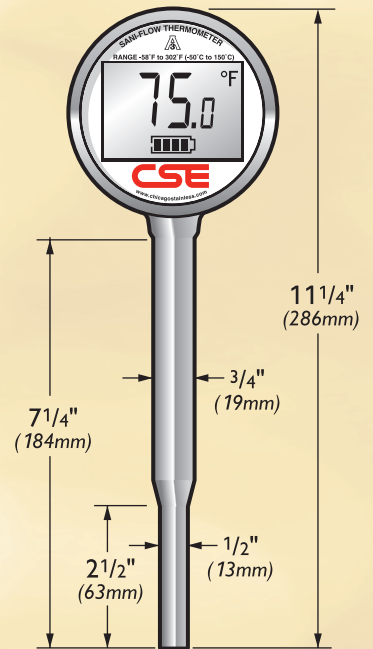


## BOTTOM MOUNT

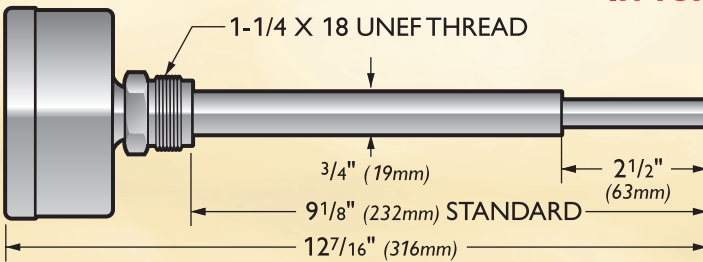
(shown with 1 1/2" Tri-Clamp®)



## AIR SPACE

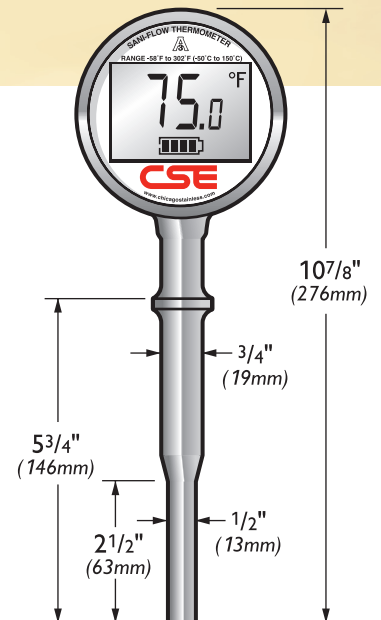


## PROJECTILE WELL

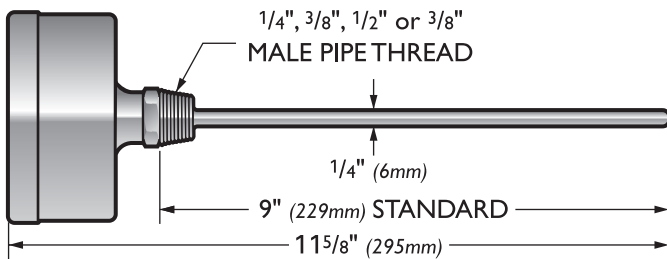


ALSO AVAILABLE  
IN TOP MOUNT

## SPLIT FERRULE

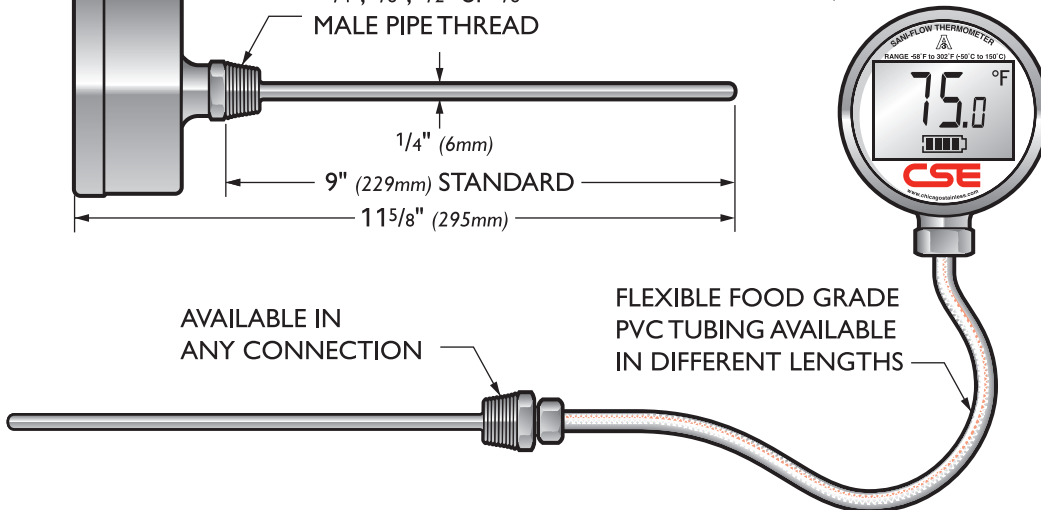


## PIPE THREAD (NPT)



## REMOTE MOUNT

(shown with 1/2" NPT)





SANI-FLOW

SANITARY DIGITAL THERMOMETERS ORDERING INFORMATION

Below are typical examples of models with their descriptions.

EXAMPLE 1:

DT - 1 1/2U - BT - DF

Describes a Sani-Flow Digital Thermometer with 1-1/2" tri-clamp fitting, bottom mounted with °F display.

EXAMPLE 2:

DT - 2U - LF - DC

Describes a Sani-Flow Digital Thermometer with 2" tri-clamp fitting, left side mounted with °C display.

EXAMPLE 3:

DT - 1/2NPT - BK - DF

Describes a Sani-Flow Digital Thermometer with 1/2" pipe thread fitting, back mounted with °F display.

EXAMPLE 4:

DT - 9PW - BK - DF

Describes a Sani-Flow Digital Thermometer with 9-1/8" projectile well fitting, back mounted with °F display.

MODEL NUMBER CONSISTS OF:

SERIES - FITTING - MOUNT - DISPLAY

DT - 2U - BT - DF

Please make a selection from each category below:

SERIES

DT - Sani-Flow Digital Thermometer

SANITARY FITTINGS

(Fittings available in 1/2", 3/4", 1-1/2", 2", 2-1/2", 3" & 4")

H - G&H "H" Line Male

I - Cherry-Burrell Male I-Line

K - APC "K" Clamp

Q - Cherry-Burrell Q-Line

T - #13H Captive Nut & #14 Bevel Seat

U - Tri-Clamp®

(Specify size, then adapter type such as 1-1/2U for 1-1/2" Tri-Clamp adapter.)

OTHER FITTINGS

(Specify probe length)

A - Air Space

M - Umbrella Fitting

NPT - 1/4", 3/8", 1/2", 5/8" or 3/4" Pipe Thread

PW - Projectile Well with 1 1/4 - 18 UNEF Male Thread

SP - Split Ferrule

VP - VAT Well Fitting with #13H Captive Nut

OF - No Fitting

MOUNT

BT - Bottom Mount

RT - Right Side Mount

LF - Left Side Mount

TP - Top Mount

BK - Back Mount

BTR - Remote Fitting

DISPLAY

DF - °F (Fahrenheit) - Standard

DC - °C (Celsius)

Visit our website or request a catalog to see our complete line of high quality, precision products including: Sani-Flow Pressure Gauges, Homogenizer Pressure Gauges, Industrial Stainless Steel Pressure Gauges, Digital Thermometers, Pharma-Flow Pressure Gauges, Chem-Flow Pressure Gauges, Electronic Sensors Cable, Sanitary Temperature Sensors & Thermowells.

DISTRIBUTED BY:

For more information or for a distributor in your area, contact us:

Chicago Stainless Equipment, Inc.

772-781-1441

www.chicagostainless.com

