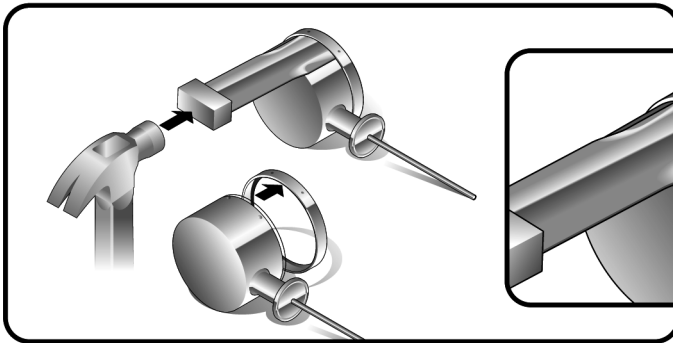
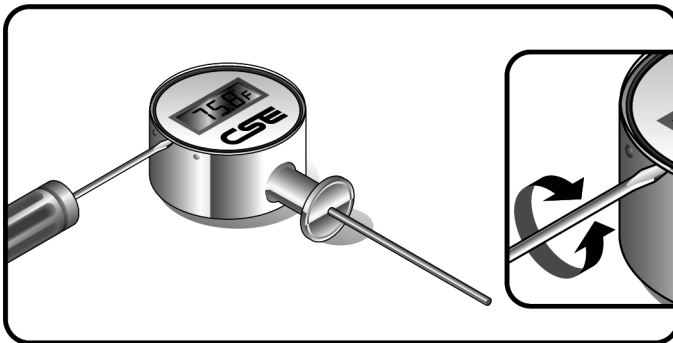
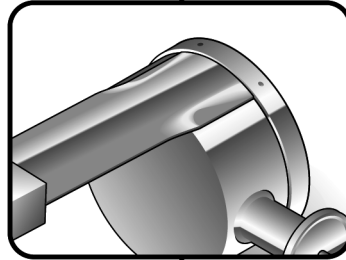


# CSE™ Chicago Stainless Equipment

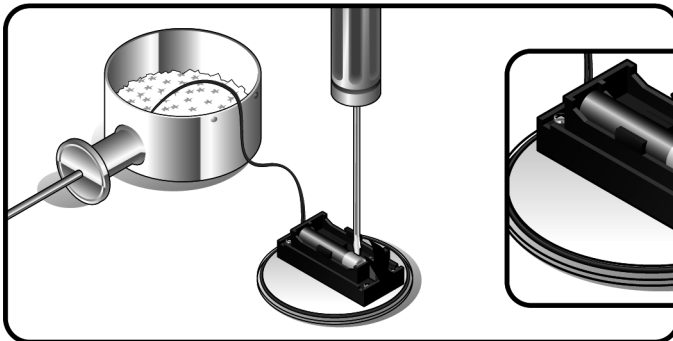
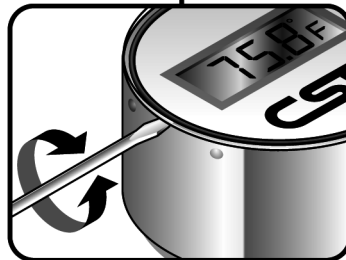
## Sani-Flow™ Digital Thermometer Recalibration & Battery Replacement Procedure



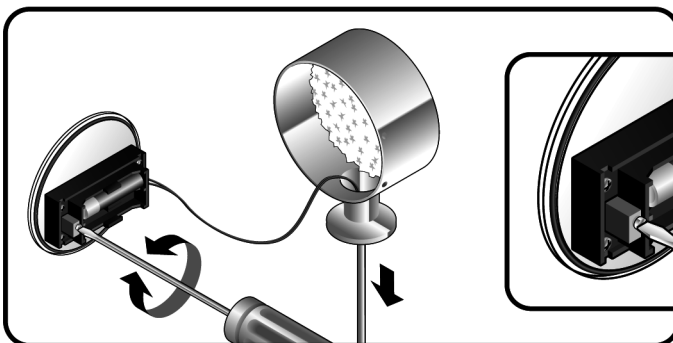
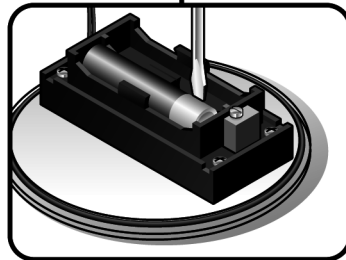
**STEP 1** Remove stainless steel lens retaining ring by pushing the ring off the front of the gauge with a hammer and CSE lens ring removal tool or a *large* flat bladed screwdriver. Work around the ring at each dimple until the ring slides off the front of the thermometer.



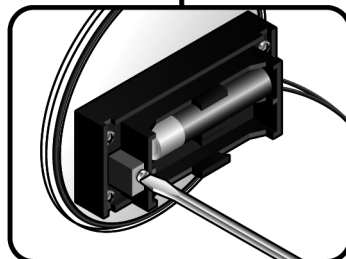
**STEP 2** Using a *small* flat bladed screwdriver, pry up polycarbonate lens being careful not to damage rubber o-ring seal and not to pull the two wires out of the probe.



**STEP 3 TO REPLACE A BATTERY:** Remove old battery, using a *small* flat bladed screwdriver if necessary. Insert new battery.



**STEP 4 TO RECALIBRATE THERMOMETER:** Place probe into liquid of known temperature. Allow approximately two minutes for thermometer to reach known temperature. Locate blue box on back side of the lens. Using a *small* flat bladed screwdriver, turn screw approximately one turn per 0.2°F. The thermometer will take either one or ten seconds to respond to any changes depending on the model thermometer purchased. Adjust until thermometer's reading is accurate.



**STEP 5** Reassemble thermometer, being sure that:

- wires **do not** get pinched between lens and body side.
- lens o-ring completely seats in body to prevent leaking.
- lens retaining ring is replaced so that dimples align properly with dimples on body.

**CAUTION!** If any moisture is present inside thermometer case, the electronics will not function properly, and product must be returned to factory for replacement of electronics and resealing of thermometer.