

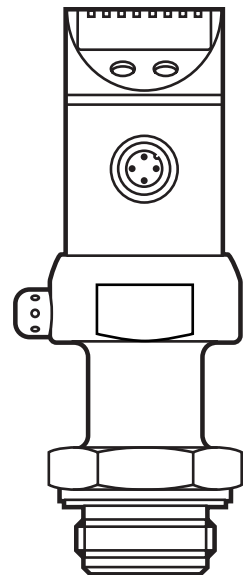


Operating instructions
Electronic pressure sensor

UK

PI10xx

704066 / 00 06 / 2009



Contents

1	Preliminary note.....	3
1.1	Symbols used	3
2	Safety instructions	3
3	Functions and features	4
3.1	Applications	4
4	Function.....	4
4.1	Processing of the measured signals.....	4
4.2	Pressure monitoring/ analogue function	4
5	Installation.....	6
6	Electrical connection.....	8
7	Operating and display elements	9
8	Menu.....	10
8.1	Menu structure.....	10
8.2	Menu explanation	11
9	Parameter setting	12
9.1	Parameter setting general	12
9.2	Configuring the display (optional).....	14
9.3	Setting the output signal	14
9.3.1	Setting the output function.....	14
9.3.2	Scaling the analogue value	15
9.4	User settings (optional).....	16
9.4.1	Zero-point calibration.....	16
9.4.2	Setting the damping for the analogue signal	16
9.5	Service functions	16
9.5.1	Reading the min./max. values for the system pressure.....	16
9.5.2	Reset all parameters to the factory setting.....	16
10	Operation.....	17
10.1	Read the set parameter values	17
10.2	Fault indication	17
10.3	Cleaning of the filter cover.....	17
11	Scale drawing	18

12	Technical data.....	18
12.1	Setting ranges	20
13	Factory setting	21

1 Preliminary note

1.1 Symbols used

- ▶ Instruction
- > Reaction, result
- [...] Designation of buttons, switches or indications
- Cross-reference



Important note

Non-compliance can result in malfunctions or interference.

2 Safety instructions

- Read this document before installing the unit. Ensure that the product is suitable for your application without any restrictions.
- Non-adherence to the operating instructions or technical data can lead to personal injury and/or damage to property.
- In all applications check compliance of the product materials (→ chapter 12 Technical data) with the media to be measured.
- For units with cULus approval and the scope of validity cULus → chapter 6 Electrical connection.

3 Functions and features

The pressure sensor detects the system pressure of machines and installations.

3.1 Applications

Type of pressure: relative pressure

Order no.	Measuring range		Permissible overload pressure		Bursting pressure	
	bar	PSI	bar	PSI	bar	PSI
PI1093	-1...25	-14.4...362.7	100	1 450	350	5 070
PI1094	-1...10	-14.5...145	50	725	150	2 175
PI1095	-1...4	-14.5...58	30	435	100	1 450
PI1096	-0.124...2.5	-1.8...36.24	20	290	50	725
	mbar	PSI	bar	PSI	bar	PSI
PI1097	-50...1 000	-0.73...14.5	10	145	30	435
PI1098	-12.4...250	-0.18...3.62	10	145	30	435
PI1099	-1 000...1 000	-14.5...14.5	10	145	30	435

$$\text{MPa} = \text{bar} \div 10 / \text{kPa} = \text{bar} \times 100$$



Static and dynamic overpressures exceeding the indicated overload pressure are to be avoided by taking appropriate measures.

The indicated bursting pressure must not be exceeded. Even if the bursting pressure is exceeded only for a short time, the unit can be destroyed.

NOTE: Risk of injury!

4 Function

4.1 Processing of the measured signals

- The unit displays the current system pressure.
- It generates 1 output signal according to the parameter setting.

OUT	analogue signal 4...20 mA (20...4 mA)
------------	---------------------------------------

4.2 Pressure monitoring/ analogue function

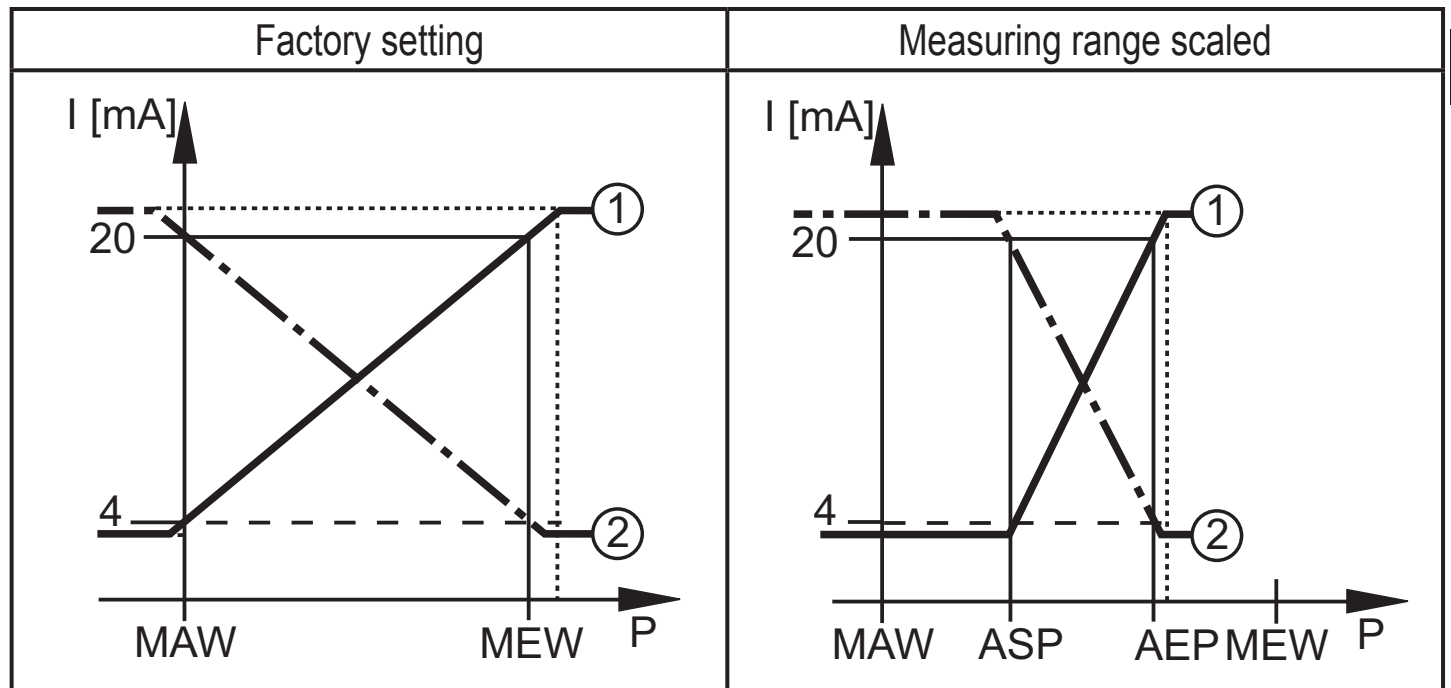
The analogue signal can be set.

- [OU2] defines whether the set measuring range is provided as a 4...20 mA signal ([OU2] = [I]) or a 20...4 mA signal ([OU2] = [InEG]).

Scaling can also be set by means of the teaching process or by entering a value for the ASP and AEP parameters.

- By teaching the analogue start point (tASP) or setting the parameter ASP you define the measured value at which the output signal is 4 mA (20 mA at [InEG]).
- By teaching the analogue end point (tAEP) or setting the parameter AEP you define the measured value at which the output signal is 20 mA (4 mA at [InEG]).

Minimum distance between [ASP] and [AEP] = 25 % of the final value of the measuring range (turn down 1:4).



UK

P = system pressure, MAW = initial value of the measuring range, MEW = final value of the measuring range

①: [OU2] = [I]; ②: [OU2] = [InEG]

The output signal is between 4 and 20 mA ([OU2] = [I]) or between 20 and 4 mA ([OU2] = [InEG]). It is also indicated:

- System pressure above the measuring range:
 - output signal > 20 mA if [OU2] = [I].
 - output signal between 4 and 3.8 mA if [OU2] = [InEG].
- System pressure below the measuring range:
 - output signal between 4 and 3.8 mA if [OU2] = [I].
 - output signal > 20 mA if [OU2] = [InEG].

5 Installation

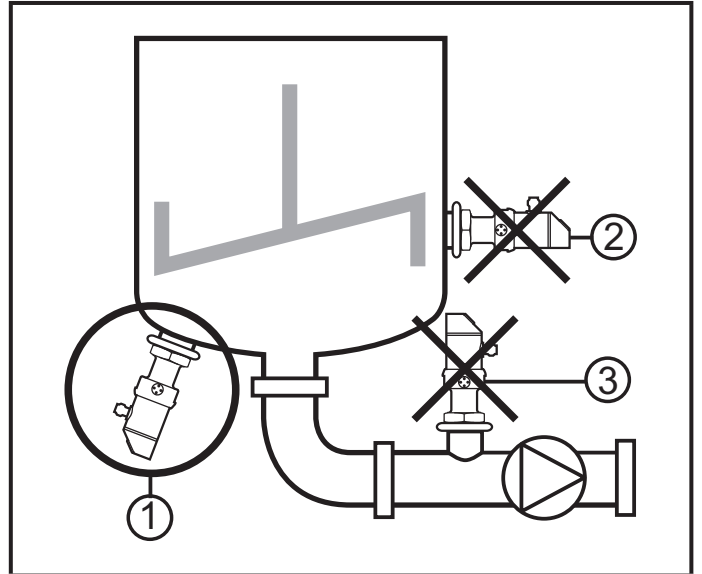


Ensure that no pressure is applied to the installation while mounting or removing the sensor. Please note: Display „0%“ does not mean that the system is free of pressure!

Horizontal mounting recommended for high medium temperatures.

To monitor a tank:

- ▶ If possible, mount the sensor at the bottom of the tank (1). Do not mount near an agitator (2), a pump (3) or in the spout of the tank (3).



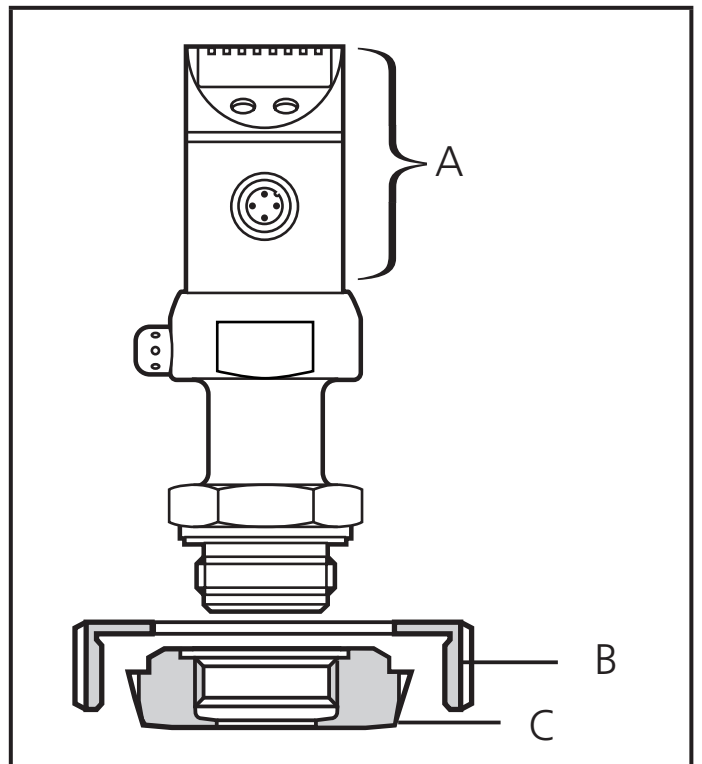
Aseptoflex adapters ensure that the sensor can be connected to different process connections.

(The adapters have to be ordered separately as accessories.)

Mounting operation:

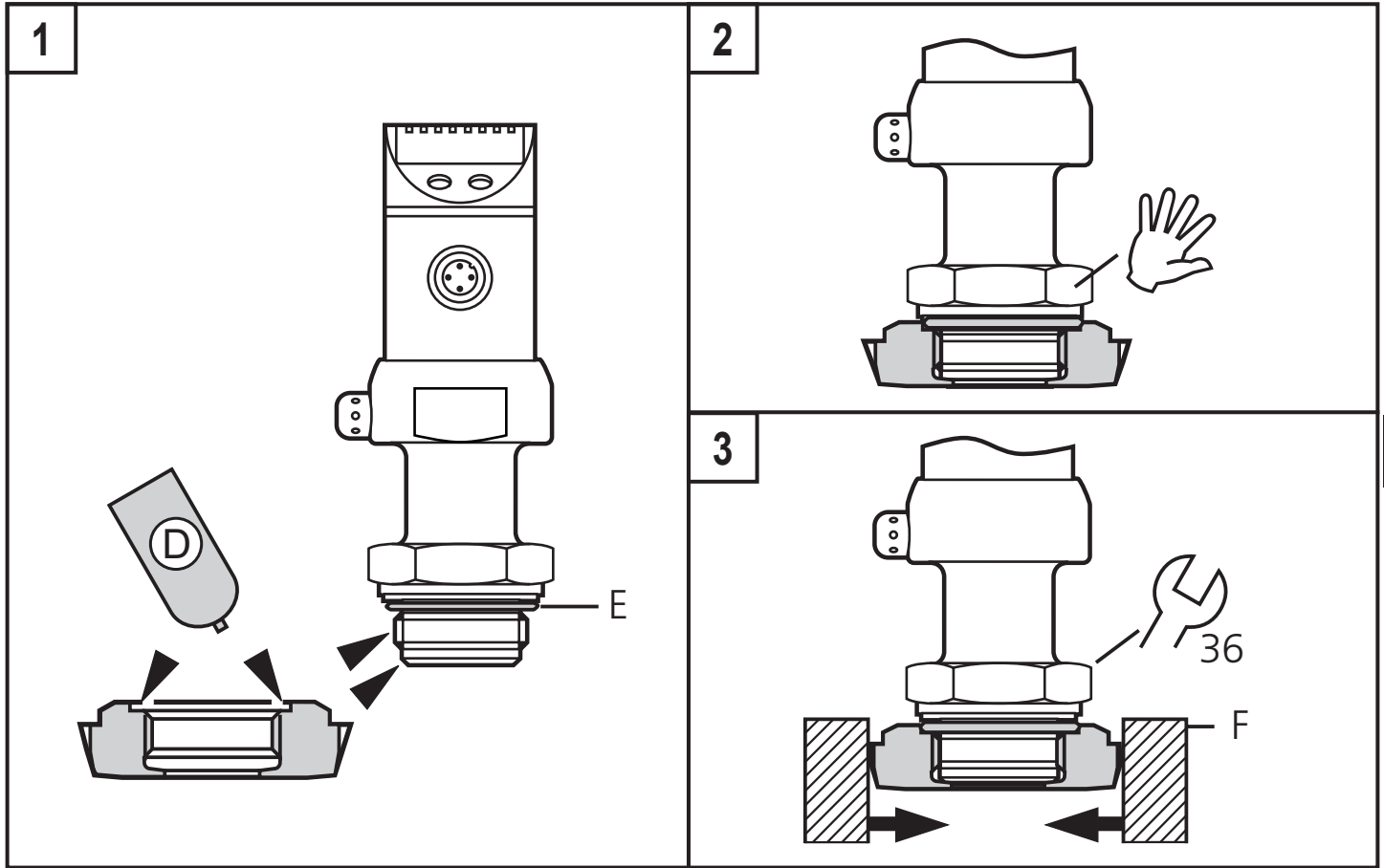
- ▶ Mount the adapter (C) to the sensor.
- ▶ Fix sensor + adapter by means of a coupling nut, a clamp flange or similar (B) to the process connection.

If it is not possible to slide the fixing element (B) down over the top of the sensor: slide it up over the bottom of the sensor before the adapter is mounted.



A = rotatable housing

Mounting the Aseptoflex adapter



UK

- ▶ Grease the following parts with the paste supplied (D):
 - thread and sealing areas of the unit.
 - sealing areas and O-ring of the adapter.Food-grade paste (USDA-H1 84-201) is supplied. Make sure that the O-ring (E) is correctly positioned.
- ▶ Screw the sensor into the adapter until it is hand-tight. Do not damage the sealing chamfers.
- ▶ Clamp sensor and adapter into a clamping device (F). Tighten the clamping device only slightly so that the adapter does not warp.
- ▶ Tighten the sensor using a spanner until you can feel the end stop (corresponding to a maximum tightening torque of 25 Nm / 18 ftlb). Note: Do not overtighten. This can have an adverse effect on the sealing.

NOTE: A guarantee for a long-term stable and maintenance-free fitting with no bug traps in the hygienic sealing of the metal seal (Aseptoflex connection) is only valid for once-only mounting.

Welding adapter

- ▶ First weld the adapter, then mount the sensor. Follow the instructions included with the adapter.

6 Electrical connection



The unit must be connected by a qualified electrician.

The national and international regulations for the installation of electrical equipment must be adhered to.

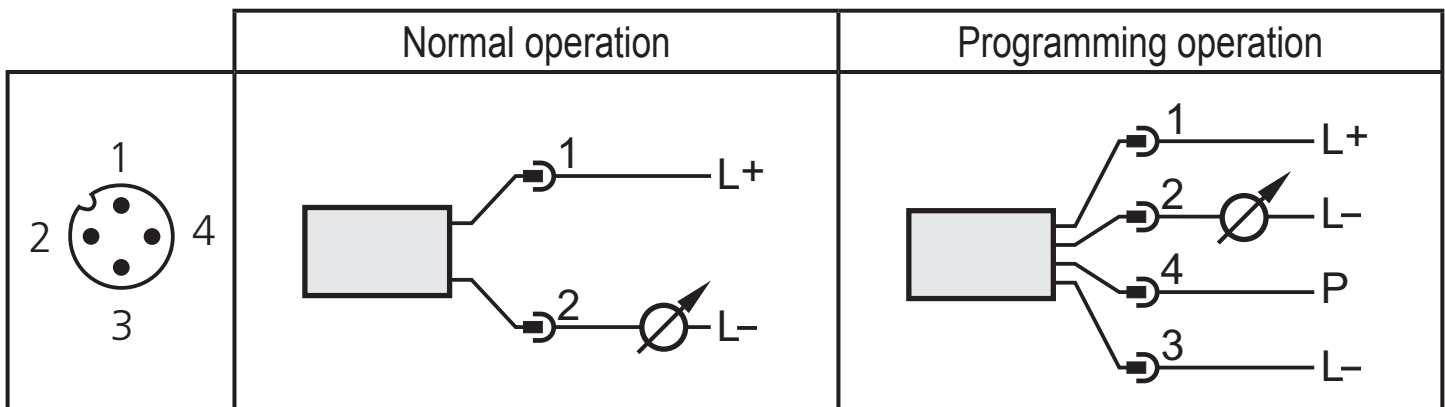
Voltage supply to EN50178, SELV, PELV.

For units with cULus approval and the scope of validity cULus: The device shall be supplied from an isolating transformer having a secondary Listed fuse rated as noted in the following table.

Overcurrent protection		
Control-circuit wire size		Maximum protective device rating [A]
AWG	[mm ²]	
22	0.32	3
20	0.52	5
18	0.82	7
16	1.3	10
14	2.1	20
12	3.3	25

► Disconnect power.

► Connect the unit as follows:

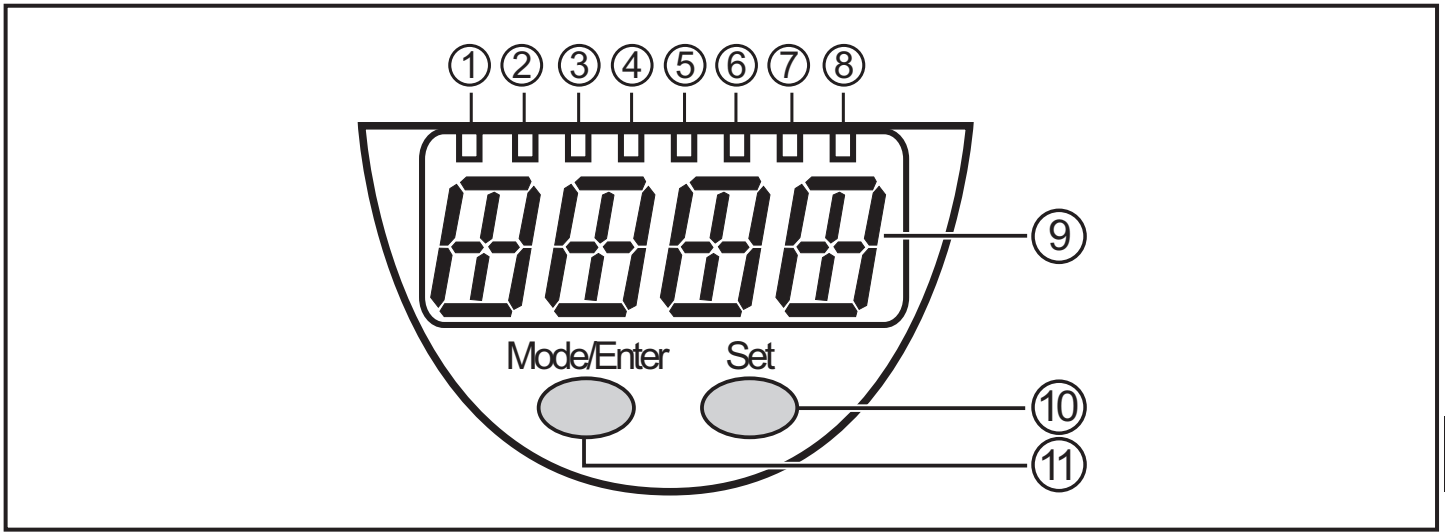


Pin 1	Ub+
Pin 3	Ub-
Pin 4 (P)	P = communication via EPS / FDT interface
Pin 2 (OUT2)	analogue output for system pressure

Core colours of ifm sockets:

1 = BN (brown), 2 = WH (white), 3 = BU (blue), 4 = BK (black)

7 Operating and display elements



UK

1 to 8: Indicator LEDs

- LED 1 to LED 6 = system pressure in unit of measurement as indicated on the label. LEDs 5 to 6 not used for units with 3 adjustable units of measurement.
- LED 7 not used.
- LED 8 not used.

9: Alphanumeric display, 4 digits

- Indication of the current system pressure.
- Indication of the parameters and parameter values.

10: Set pushbutton

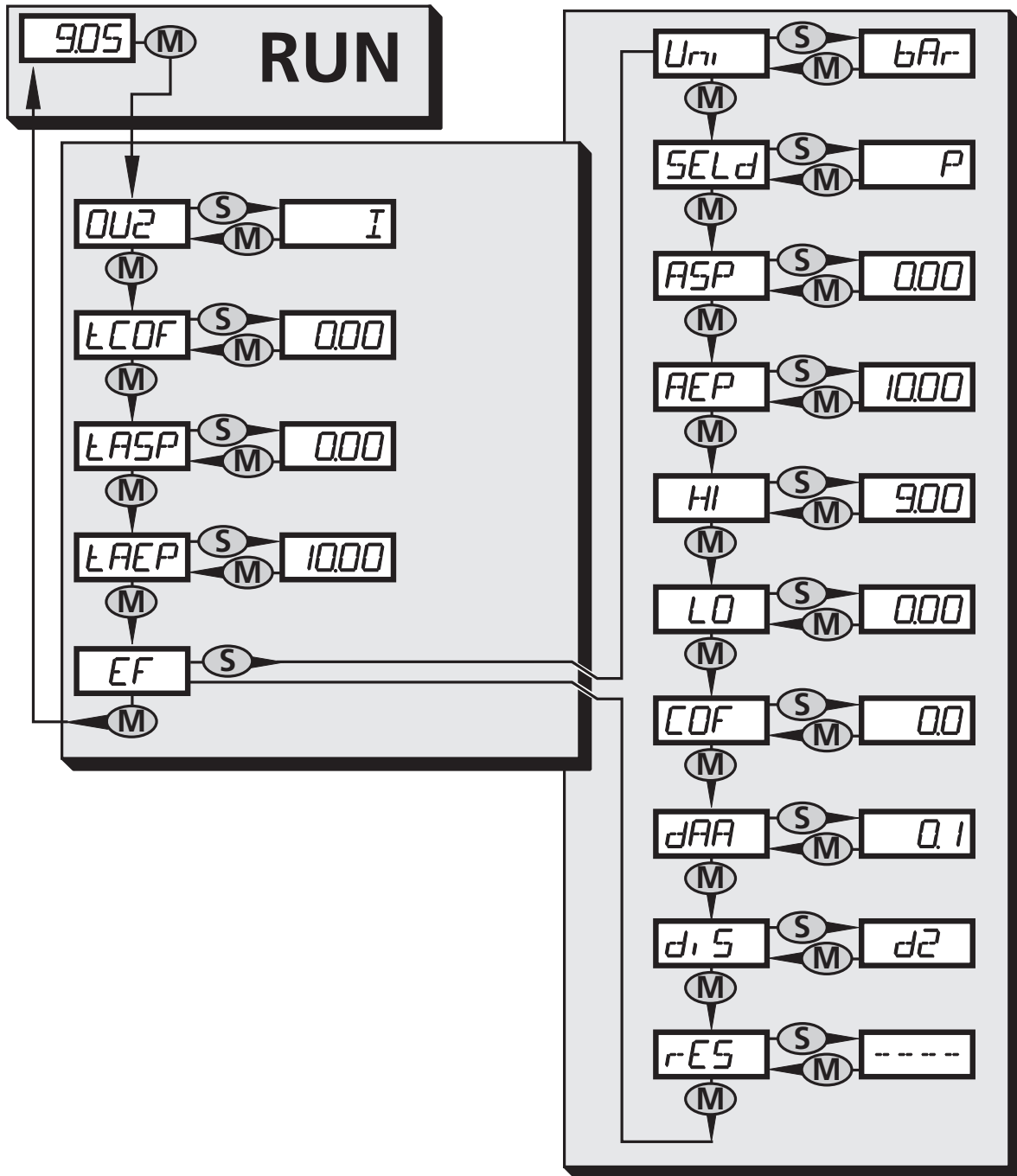
- Setting of the parameter values (scrolling by holding pressed, incremental by pressing briefly).

11: Mode/Enter pushbutton

- Selection of the parameters and acknowledgement of the parameter values.

8 Menu

8.1 Menu structure



8.2 Menu explanation

OU2	Output function for OUT2: • Analogue signal for the current system pressure: 4...20 mA [I] or 20...4 mA [InEG].
tCOF	Teaching zero-point calibration.
tASP	Teaching analogue start point for the system pressure: set value at which 4 mA are output (20 mA on [OU2] = [InEG]).
tAEP	Teaching analogue end point for the system pressure: set value at which 20 mA are output (4 mA on [OU2] = [InEG]).
EF	Extended functions / Opening menu level 2.
Uni	Standard unit of measurement for the system pressure.
SELd	Display mode: • Pressure in the unit set in [Uni]. • Pressure in % of the set scaling of the analogue output.
ASP	Analogue start point for the system pressure: measured value at which 4 mA are output (20 mA on [OU2] = [InEG]).
AEP	Analogue end point for the system pressure: measured value at which 20 mA are output (4 mA on [OU2] = [InEG]).
HI	Maximum value memory for the system pressure.
LO	Minimum value memory for the system pressure.
COF	Zero point calibration.
dAA	Damping for the analogue output.
diS	Update rate and orientation of the display.
rES	Restore the factory setting.

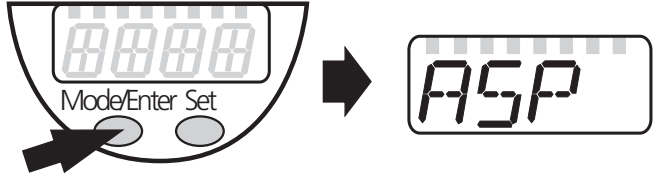
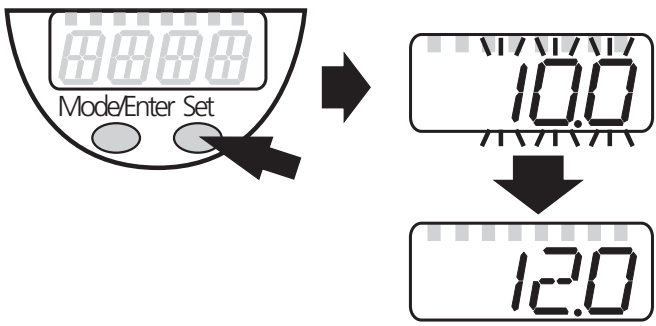

UK

9 Parameter setting

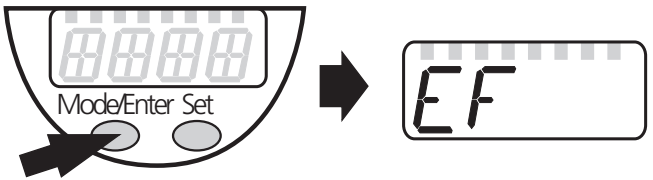
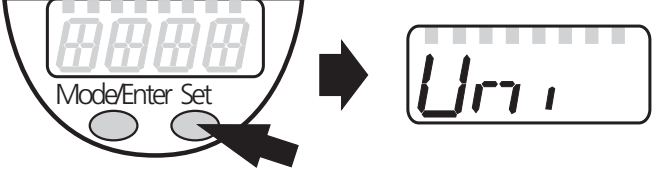
During the parameter setting process the unit remains in the operating mode. It continues its monitoring function with the existing parameters until parameter setting has been terminated.

9.1 Parameter setting general

Each parameter setting requires 3 steps:

<p>1</p>	<p>Selecting parameter</p> <ul style="list-style-type: none"> ▶ Press [Mode/Enter] until the requested parameter is displayed. 	
<p>2</p>	<p>Setting the parameter value</p> <ul style="list-style-type: none"> ▶ Press [Set] and keep the button pressed. > Current setting value of the parameter bit flashes for 5 s. > After 5 s: Setting value is changed: incremental by pressing briefly or scrolling by holding pressed. 	
<p>The numerical values are incremented continuously. If the value is to be reduced: Let the display move to the maximum setting value. Then the cycle starts again at the minimum setting value.</p>		
<p>3</p>	<p>Acknowledge parameter value</p> <ul style="list-style-type: none"> ▶ Press [Mode/Enter] briefly. > The parameter is displayed again. The new setting value is stored. 	
<p>Set more parameters</p> <ul style="list-style-type: none"> ▶ Start again with step 1. 		
<p>Finishing parameter setting</p> <ul style="list-style-type: none"> ▶ Press [Mode/Enter] several times until the current measured value is displayed or wait for 15 s. > The unit returns to the operating mode. 		

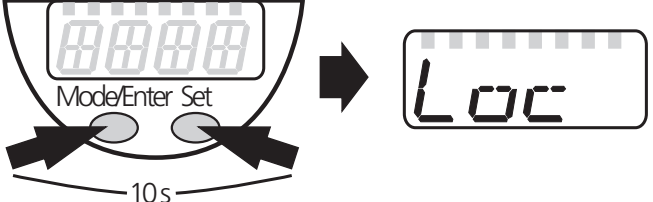
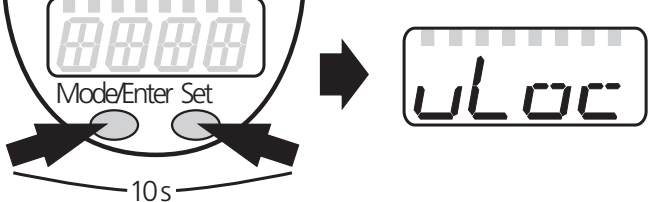
- Changing from menu level 1 to menu level 2:

<ul style="list-style-type: none"> ▶ Press [Mode/Enter] until [EF] is displayed. 	
<ul style="list-style-type: none"> ▶ Press [Set] briefly. > The first parameter of the submenu is displayed (here: [Uni]). <p>If menu level 2 is protected by an access code, „Cod1“ flashes in the display.</p> <ul style="list-style-type: none"> ▶ Press [Set] and keep it pressed until the valid code no. is displayed. ▶ Press [Mode/Enter] briefly. <p>Delivery by ifm electronic: no access restriction.</p>	

UK

- Locking / unlocking

The unit can be locked electronically to prevent unintentional wrong settings.

<ul style="list-style-type: none"> ▶ Ensure that the unit is in the normal operating mode. ▶ Press [Mode/Enter] + [Set] for 10 s. > [Loc] is displayed. 	
<p>During operation: [Loc] is displayed briefly when you try to change parameter values.</p>	
<p>For unlocking:</p> <ul style="list-style-type: none"> ▶ Press [Mode/Enter] + [Set] for 10 s. > [uLoc] is displayed. 	

On delivery: Unlocked.

- Timeout:

If no button is pressed for 15 s while the parameters are being set, the unit returns to the operating mode with unchanged values.

9.2 Configuring the display (optional)




<p>▶ Select [Uni] and set the unit of measurement:</p> <ul style="list-style-type: none"> - [bAr], [mbAr], - [MPa], [kPa], - [PSI], - [InHO] (only PI1096, PI1097, PI1098, PI1099), - [mWS] (only PI1096, PI1097, PI1099), - [mmWS] (only PI1098). 	
<p>▶ Select [SELD] and set the display mode:</p> <ul style="list-style-type: none"> - [P]: Pressure in the unit set in Uni. - [P%]: percentage value (pressure in % of the set scaling of the analogue output. The following applies: 0% = ASP value; 100% = AEP value). <p>NOTE: Display „0%“ does not mean that the system is free of pressure.</p>	
<p>▶ Select [diS] and set update rate and orientation of the display:</p> <ul style="list-style-type: none"> - [d1]: Update of the measured value every 50 ms. - [d2]: Update of the measured value every 200 ms. - [d3]: Update of the measured value every 600 ms. - [rd1], [rd2], [rd3]: Display like d1, d2, d3; rotated by 180°. - [OFF]: The display is deactivated in the operating mode. If one of the buttons is pressed, the current measured value is displayed for 15 s. Another press of the Mode/Enter button opens the Display mode. The LEDs remain active even if the display is deactivated. 	

9.3 Setting the output signal

9.3.1 Setting the output function

<p>▶ Select [OU2] and set the analogue function:</p> <ul style="list-style-type: none"> - [I] = current signal proportional to the pressure 4...20 mA, - [InEG] = current signal proportional to the pressure 20...4 mA. 	
--	--

9.3.2 Scaling the analogue value

<ul style="list-style-type: none"> ▶ Set the requested minimum pressure in the system. ▶ Press [Mode/Enter] until [tASP] is displayed. ▶ Press [Set] and keep the buton pressed. > The currently set value flashes. ▶ Release [Set] when the display stops flashing. > The new set value is displayed. ▶ Press [Mode/Enter] briefly. > The current system pressure is defined to be the start value for the analogue signal. 	
<ul style="list-style-type: none"> ▶ Set the requested maximum pressure in the system. ▶ Press [Mode/Enter] until [tAEP] is displayed. ▶ Press [Set] and keep the buton pressed. > The currently set value flashes. ▶ Release [Set] when the display stops flashing. > The new set value is displayed. ▶ Press [Mode/Enter] briefly. > The current system pressure is defined to be the end value for the analogue signal. 	
<p>ASP / AEP can only be taught within defined limits (→ 12.1 setting ranges). If the teaching process is carried out at an invalid pressure, [UL] or [OL] is displayed. After acknowledgement by [Mode/Enter], [Err] flashes, the ASP value / AEP value is not changed.</p>	
<p>As an alternative:</p> <ul style="list-style-type: none"> ▶ Select [ASP] and set measured value at which 4 mA are output (20 mA at [OU2] = [InEG]). ▶ Select [AEP] and set measured value at which 20 mA are output (4 mA at [OU2] = [InEG]). <p>Minimum distance between ASP and AEP = 25 % of the final value of the measuring range (scaling factor 1:4).</p>	

UK

9.4 User settings (optional)

9.4.1 Zero-point calibration

<ul style="list-style-type: none">▶ Select [COF] and set a value between -5% and 5% of the final value of the measuring range. The internal measured value "0" is shifted by this amount.	COF
<p>As an alternative: Automatic adaptation offset (setting range 0 bar $\pm 5\%$); e.g. in the event of a deviation of the mounting location of the sensor and the zero point level for level measurement.</p> <ul style="list-style-type: none">▶ Make sure that no pressure is applied to the system.▶ Press [Mode/Enter] until [tCOF] is displayed.▶ Press [Set] and keep the button pressed.> The current offset value (in %) briefly flashes, then the current system pressure (in the selected display unit) is displayed.▶ Release [Set].▶ Press [Mode/Enter] briefly to confirm the new offset value.	tCOF

9.4.2 Setting the damping for the analogue signal

<ul style="list-style-type: none">▶ Select [dAA] and set value between 0.1 and 100.0 s (at 0.0 = [dAA] is not active). <p>dAA value = response time between pressure change and change of the analogue signal in seconds.</p>	dAA
---	-----

9.5 Service functions

9.5.1 Reading the min./max. values for the system pressure

<ul style="list-style-type: none">▶ Select [HI] or [LO], press [Set] briefly. [HI] = maximum value, [LO] = minimum value. <p>Delete memory:</p> <ul style="list-style-type: none">▶ Select [HI] or [LO].▶ Press [SET] until [----] is displayed.▶ Press [MODE/ENTER] briefly.	HI LO
---	----------

9.5.2 Reset all parameters to the factory setting

<ul style="list-style-type: none">▶ Select [rES]▶ Press [SET] until [----] is displayed.▶ Press [MODE/ENTER] briefly. <p>It makes sense to note down your own settings before executing the function (\rightarrow 13 Factory preset).</p>	rES
--	-----

10 Operation

After power on of the supply voltage the unit is in the Run mode (= normal operation). It carries out its measurement and evaluation functions and generates output signals according to the set parameters.

Operation indicatin → chapter 7 Operating and display elements.

10.1 Read the set parameter values

- ▶ Press [Mode/Enter] until the requested parameter is displayed.
- ▶ Press [Set] briefly.
- > The unit displays the corresponding parameter value for about 15 s. After another 15 s the unit returns to the Run mode.

UK

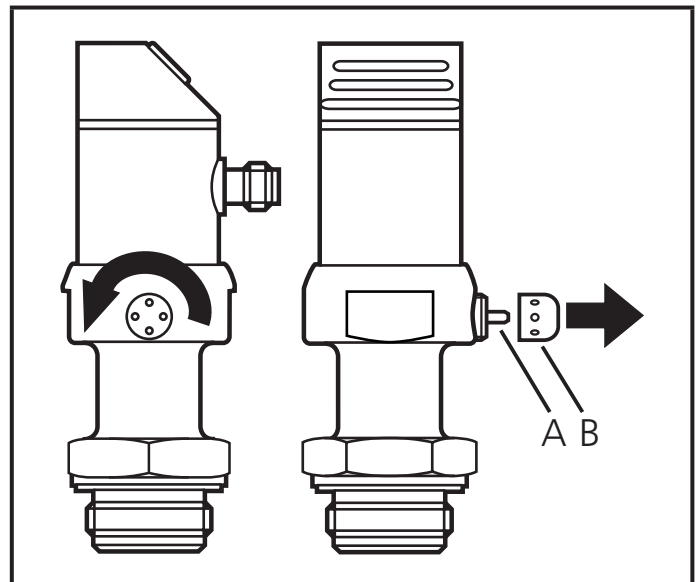
10.2 Fault indication

[OL]	Overload pressure (measuring range exceeded).
[UL]	Underpressure range (measuring range below the minimum value).
[Err]	Internal fault, invalid input (indicated even if the display is deactivated).

10.3 Cleaning of the filter cover

If viscous and residues producing media clog the filter cover of the sensor (and thus reduce the measuring accuracy slightly), you can clean it.

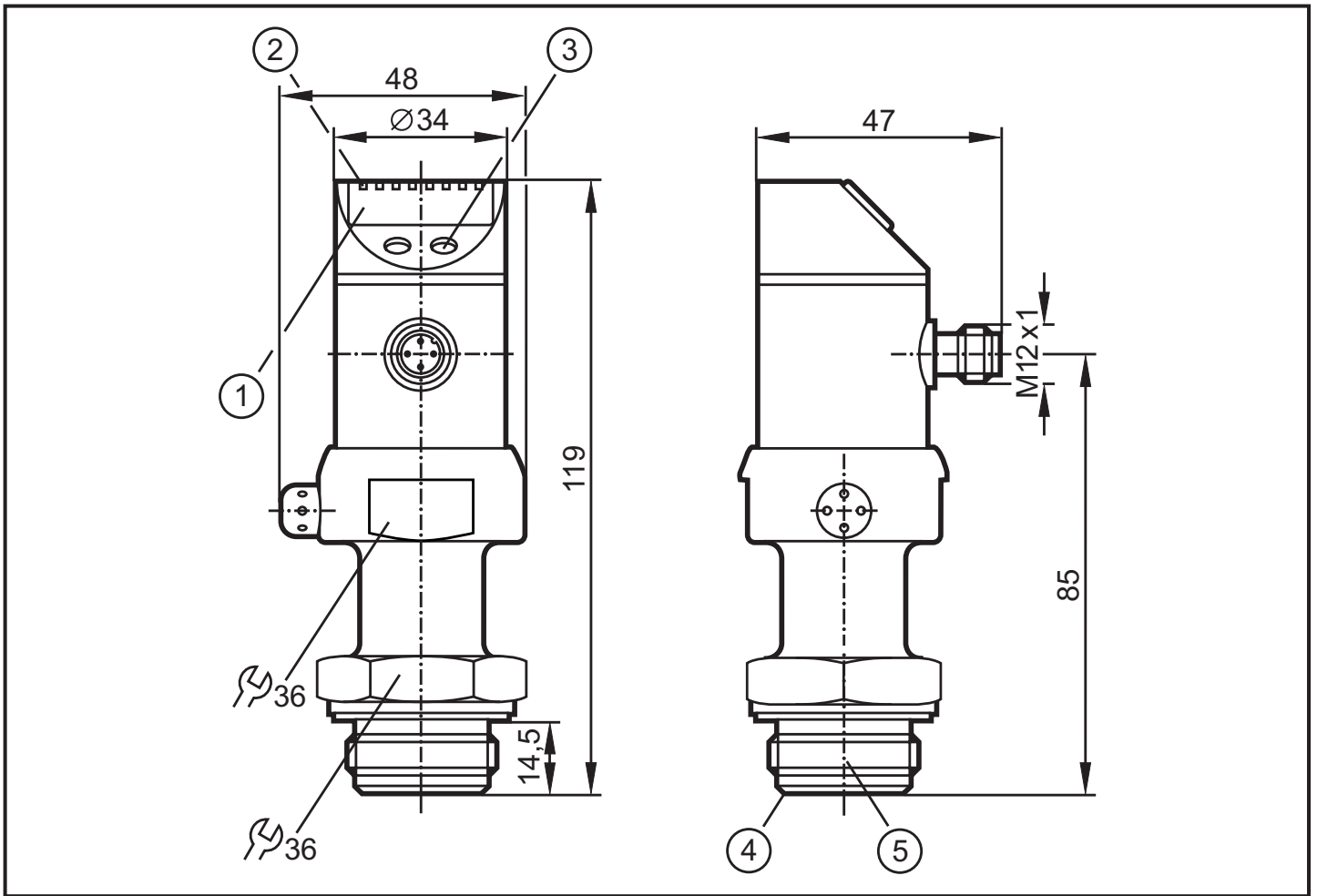
- ▶ Unscrew the filter cover (B) (use a pair of pliers with plastic-covered jaws for this).
- ▶ Clean the cover thoroughly.



The vent (A) should only be cleaned by skilled personnel and with utmost care. Possible medium residues must not be compressed and pressed into the vent. This could clog the filter system and reduce the measuring accuracy of the sensor.

- ▶ Screw the filter cover again tightly.

11 Scale drawing



Dimensions are in millimeters

- 1: display
- 2: LED's
- 3: programming button
- 4: Aseptoflex sealing edge
- 5: Aseptoflex thread

12 Technical data

Operating voltage [V].....	20...32 DC
Reverse polarity / overload protection, integrated watchdog	
Power-on delay time [s].....	0.5
Analogue output	4...20 mA / 20...4 mA
Max. load current output [Ω]	300
Switch-on peak current.....	60 mA (30 ms)
Step response time analogue output [ms]	40

Accuracy / deviation (in % of the span)¹⁾

Characteristics deviation (linearity. incl. hysteresis and repeatability) ²⁾	< ± 0.2
Linearity	< ± 0.15
Hysteresis	< ± 0.15
Repeatability (with temperature fluctuations < 10 K)	< ± 0.1
Long-term stability (in % of the span per year)	< ± 0.1

- Temperature coefficient (TC) in the compensated temperature range 0 ... 70°C (in % of the span per 10 K)

Greatest TC of the zero point	< ± 0.05
Greatest TC of the span	< ± 0.15

Material (wetted parts)

..... stainless steel 316L / 1.4435, surface characteristics: Ra 0.4 / Rz 4
ceramics (99.9 % Al₂O₃); PTFE;

Housing materials

..... stainless steel 316L / 1.4404; PC (Makrolon); PBT (Pocan); PEI; FPM (Viton); PTFE

Protection IP 67 / IP 69K

Protection class III

Insulation resistance [MΩ] > 100 (500 V DC)

Shock resistance [g] 50 (DIN / IEC 68-2-27, 11ms)

Vibration resistance [g] 20 (DIN / IEC 68-2-6, 10 - 2000 Hz)

Switching cycles min. 100 million

Operating temperature [°C] -25 ... +80

Medium temperature [°C] -25...125 (145 max. 1h)

Storage temperature [°C]..... -40...+100

EMC EN 61000-4-2 ESD: 4 / 8 KV

EN 61000-4-3 HF radiated: 10 V/m

EN 61000-4-4 Burst: 2 KV

EN 61000-4-5 Surge: 0.5 / 1 KV

EN 61000-4-6 HF conducted: 10 V

¹⁾ all indications are referred to a turn down of 1:1

²⁾ limit value setting to DIN 16086

UK

12.1 Setting ranges

		ASP		AEP		ΔP
		min	max	min	max	
PI1093	bar	-1.00	18.74	5.24	25.00	0.02
	PSI	-14.4	271.8	76.2	362.7	0.3
	MPa	-0.100	1.874	0.524	2.500	0.002
PI1094	bar	-1.00	7.50	1.50	10.00	0.01
	PSI	-14.5	108.7	21.8	145.0	0.1
	MPa	-0.100	0.750	0.150	1.000	0.001
PI1095	bar	-1.000	3.000	0.000	4.000	0.005
	PSI	-14.50	43.50	0.00	58.00	0.05
	kPa	-100.0	300.0	0.0	400.0	0.5
PI1096	bar	-0.124	1.880	0.500	2.500	0.002
	PSI	-1.80	27.27	7.26	36.27	0.03
	kPa	-12.4	188.0	50.0	250.0	0.2
	inH ₂ O	-50	755	201	1004	1
	mWS	-1.26	19.17	5.10	25.49	0.01
PI1097	mbar	-50	750	200	1000	1
	PSI	-0.73	10.88	2.90	14.50	0.01
	kPa	-5.0	75.0	20.0	100.0	0.1
	inH ₂ O	-20.0	301.2	80.4	401.6	0.4
	mWS	-0.51	7.65	2.04	10.20	0.01
PI1098	mbar	-12.4	187.4	50.0	250.0	0.2
	kPa	-1.24	18.74	5.00	25.0	0.02
	inH ₂ O	-5.0	75.3	20.1	100.4	0.1
	mmWS	-126	1912	510	2250	2
PI1099	mbar	-1000	500	-500	1000	1
	PSI	-14.50	7.25	-7.25	14.50	0.05
	kPa	-100.0	50.0	-50.0	100.0	0.1
	inH ₂ O	-401	201	-201	401	1
	mWS	-10.20	5.10	-5.10	10.20	0.01

ΔP = increments

13 Factory setting

	Factory setting	User setting
OU2	I	
ASP / tASP	0% VMR*	
AEP / tAEP	100% VMR*	
COF / tCOF	0.0	
dAA	0.1	
Uni	bAr / mbAr	
SELd	P	
dis	d2	

* = the indicated percentage of the final value of the measuring range (VMR) of the corresponding sensor in bar / mbar is set.

Technical data and further information at
www.ifm.com → Select your country → Data sheet direct:

UK