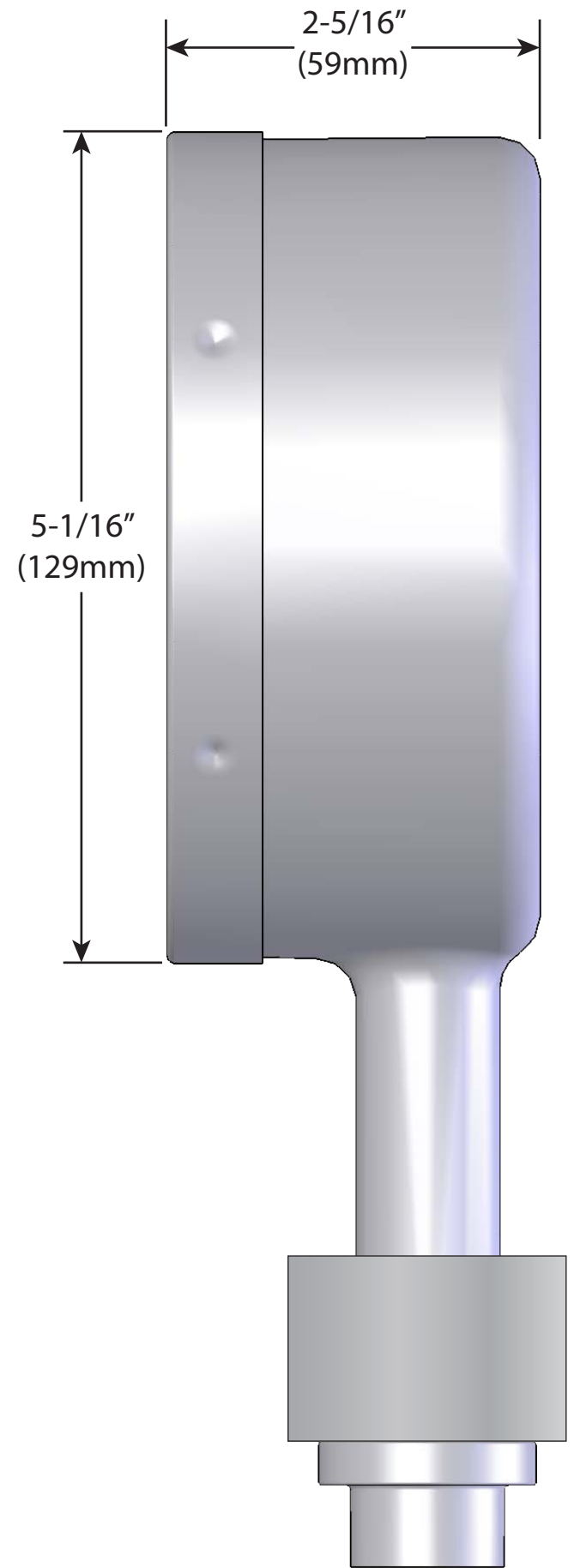


FRONT VIEW
(Shown with 2 Bolt Flange)



SIDE VIEW
(Shown with 2 Bolt Flange)