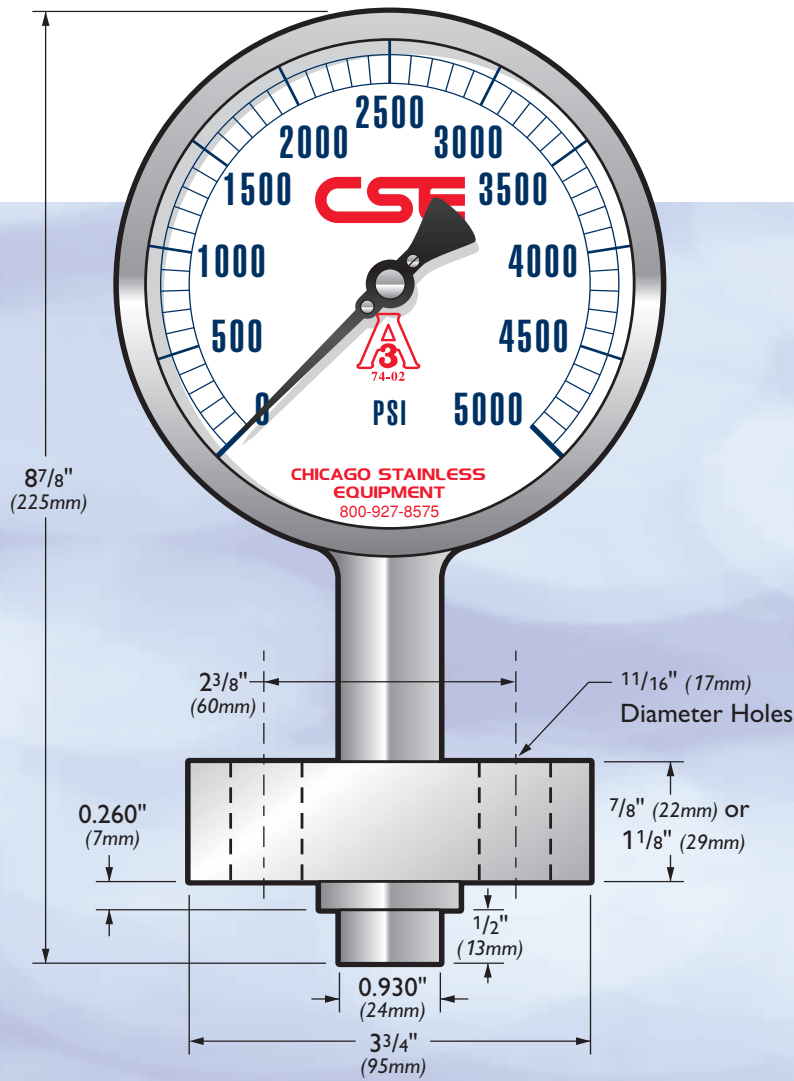
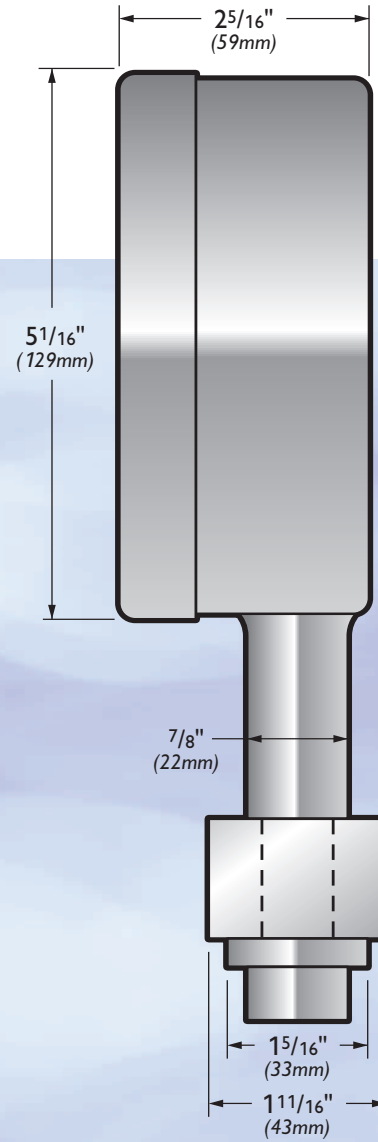


FRONT VIEW

(shown with 2 bolt flange)



SIDE VIEW



TYPICAL DIAL FACES

